

TECHNICAL SPECIFICATIONS

M1 Series Furnaces

M1M* Hot Surface Ignition M1B* Gas Gun

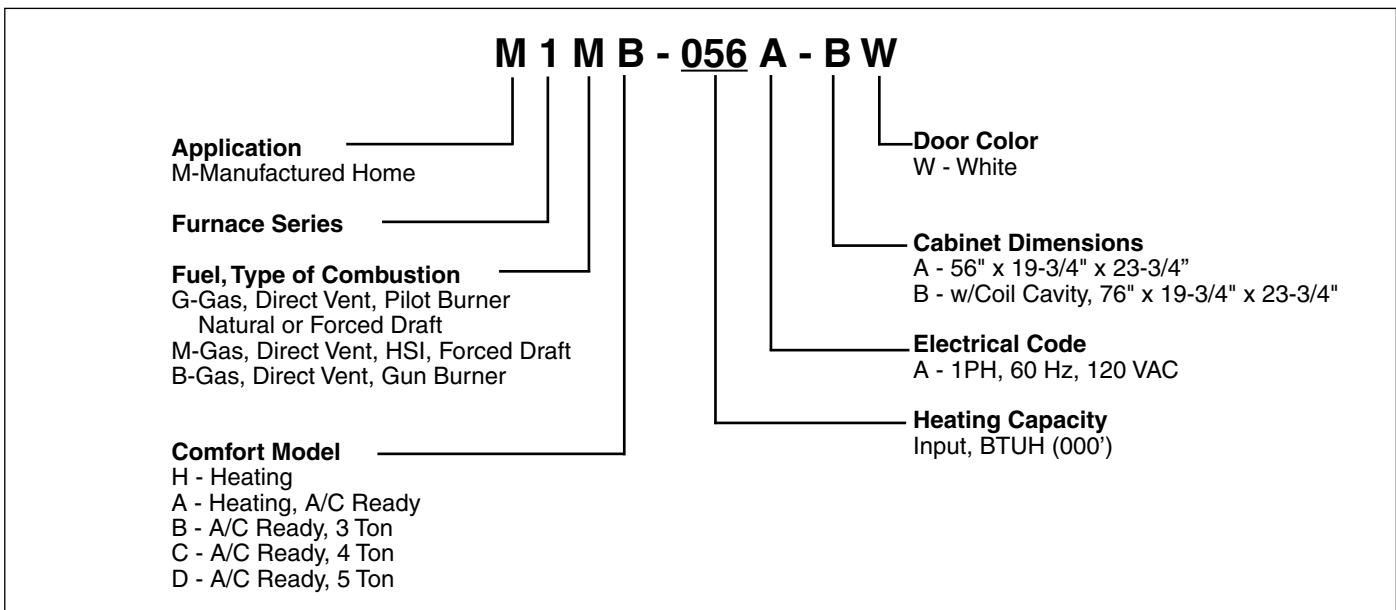
The M1 Series furnace is designed for all sizes of manufactured and modular homes. These units incorporate high efficiency, reliability, and low maintenance. Units may be installed free standing in a utility room or enclosed in an alcove or closet. M1 Series furnaces are available in A/C adaptable or A/C ready, with or without coil cavity box, multiple blower combinations for cooling requirements, and many burner options.



FEATURES and BENEFITS

- **Sealed Combustion System:** Vents exhaust gas directly outdoors and draws in 100% outside air for the burner.
- **Easy Open Pawl Latch:** Secures the door firmly for transit, yet allows easy removal for access.
- **Choice of Air Conditioning Options:** From 2 to 5 tons A/C ready.
- **Large, Effective Air Filter:** Room air is cleaner with this permanent washable filter.
- **High Efficiency Drum Heat Exchanger:** Delivers optimum heat transfer with low air resistance.
- **Appliance Quality Door:** Protects against rust and other corrosion. Baked enamel finish allows for easy cleaning.
- **Fully Insulated Cabinet:** Insures minimized heat loss and quiet operation.
- **Reliable Burner:** With uniform flame pattern extends life of heat exchanger.

MODEL IDENTIFICATION



SPECIFICATIONS

Furnace Model No	Input MBtu/h	Output MBtu/h	Orifice No		E.S.P. In WC	Pilot Burner	Ignitor Direct	Comb. Blower	Motor Hp	Motor FLA	A/C Ready Tons	AFUE % Nat / LP	Shipping Weight	
			Nat.	LP									A Cabinet	B Cabinet
M1MB 056	56	46	29	45	0.3		x	x	1/4	6	3	80	152	167
M1MC 056	56	46	29	45	0.3		x	x	1/2	7.9	4	80	156	171
M1MB 070	70	57	24	42	0.3		x	x	1/4	6	3	80	153	168
M1MC 070	70	57	24	42	0.3		x	x	1/2	7.9	4	80	157	172
M1MB 077	77	62	21	40	0.3		x	x	1/4	6	3	80	149	164
M1MC 077	77	62	21	40	0.3		x	x	1/2	7.9	4	80	156	171
M1MB 090	90	72	17	36	0.3		x	x	1/4	6	3	80	151	166
M1MC 090	90	72	17	36	0.3		x	x	1/2	7.9	4	80	156	171
M1BB 066	66	53	26	43	0.3		x	x	1/4	6	3	80	N/A	185
M1BC 066	66	53	26	43	0.3		x	x	1/2	7.9	4	80	172	187
M1BB 086	86	68	18	37	0.3		x	x	1/4	6	3	80	178	193
M1BC 086	86	68	18	37	0.3		x	x	1/2	7.9	4	80	179	194

Electrical Supply - 120 volts, 60HZ, 1 Ph.

Fuse or Breaker - 15 amps

Temperature Rise - 45° to 75°F

Gas Connection - 1/2" NFPT

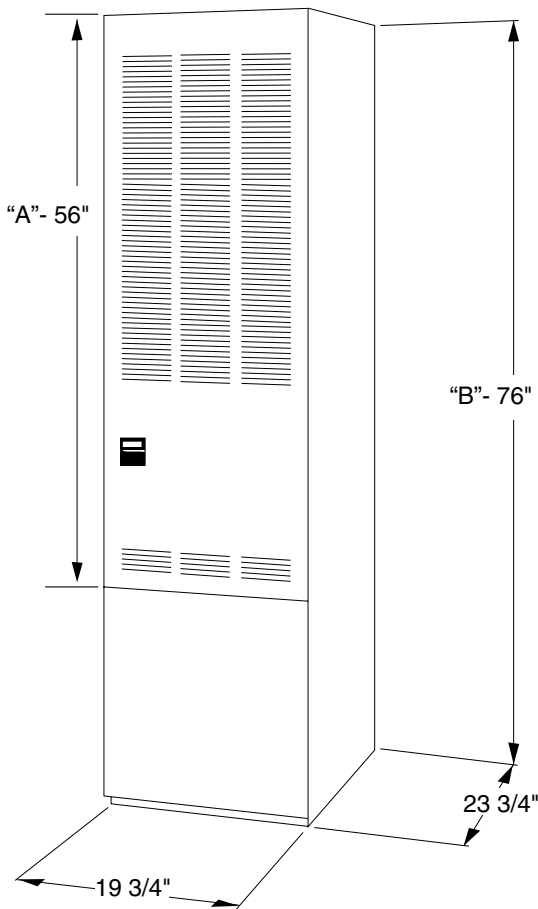
High Altitude - See Table 11 in the Installation Instructions for elevations above 2,000 feet.

Thermostat Circuit - 24 volts, 60HZ, 30 vac

Normal Anticipator Setting - 0.4

Manifold Pressure - Natural Gas: 3.5" w.c. LP Gas: 10" w.c.

DIMENSIONS



"A" Model without Coil Cabinet
 "B" Model with Coil Cabinet

CLEARANCES

ALL MODELS	CLOSET	ALCOVE
Front	6"	18"
Back	0"	0"
Sides	0"	0"
Roof Jack	0"	0"
Top	6"	6"
Top and Sides of Duct	0"	0"
Bottom of Duct		
B Cabinet	0"	0"
A Cabinet (w/coil box)	0"	0"
A Cabinet (w/o coil box)	1/4"	1/4"

BLOWER PERFORMANCE

Model No.	HP/wheel	Speed	ESP (" WC)	CFM WITHOUT COIL				CFM WITH COIL			
				Low	Med-Lo	Med-Hi	High	Low	Med-Lo	Med-Hi	High
M1MB 056	1/4 HP 10 x 8	3	0.1		740	950	1210		730	930	1140
M1MB 070			0.2		730	940	1190		720	920	1110
M1MB 077			0.3		700	920	1140		690	880	1050
M1MB 090			0.4		670	880	1090		660	840	990
M1BB 066			0.5		640	840	1030		620	790	930
M1BB 086			0.6		610	780	970		580	740	870
M1MC 056			1/2 HP 11 x 8	4	0.5	810	960	1120	1280	800	940
M1MC 070	0.6	760			920	1080	1220	750	890	1010	1090
M1MC 077											
M1MC 090											
M1BC 066											
M1BC 086											

ACCESSORIES

Description	Part Number
Blower, 2-3 ton	903773
Blower, 2-4 Ton	903413
Blower, 2-5 Ton	903890
Thermostat Sub-Base	914146
Automatic Cavity Damper	901083
New England Safety Kit	901855
Ceiling Rings (2 piece adjustable)	902521
Duct Connector 10" x 6" - 6 / carton	902926
Transit Vent Kit 12 / carton	903838
AC Coil Box	911969A

Sloped Roof Flashings	Part Number
2.5" in 12" - 4 / carton	903893
3" in 12" - 4 / carton	903894
4" in 12" - 2 / carton	903895

Roof Jack	Part Number
FAW1523-0A	903658
FAW2135-0A	903659
FAW2747-0A	903660
SAW2135-2A	903662
SAW2747-2A	903663
SAW3563-2A	903664
SAW5195-2A	920638
SAW2747-4A	903678A
SAW3563-4A	903665A
SAW5195-4A	903666A

Vent Kits	Part Number
Soffit Air Inlet (for VentilAire III only)	917201A
Wall Vent Kit (side wall depressurization)	914115
Soffit Vent Kit (soffit depressurization)	914116
Roof Vent Kit (roof depressurization)	914117
Air Tube Kit M (high capacity M Series gas/oil furnaces)	914118
VentilAire III - Sloped 3/12	914098B
VentilAire IV - Sloped 3/12	914229B

Flue Extensions	Part Number
E110A-5	901935
E118A-5	903107
E116A-5	901937

Plenum Connectors	Part Number
11.25 x 13.50 x 0.88 12 / carton	901987A
11.25 x 13.50 x 2.00 12 / carton	901988A
11.25 x 13.50 x 4.25 6 / carton	901989A
11.25 x 13.50 x 6.25 6 / carton	901990A
11.25 x 13.50 x 8.25 4 / carton	901991A
11.25 x 13.50 x 10.25 3 / carton	901992A
11.25 x 13.50 x 12.25 3 / carton	901993A
11.25 x 13.50 x 6.25 24 / carton	902681A



GENERAL TERMS OF LIMITED WARRANTY

NORDYNE will furnish a replacement for any part of this product which fails in normal use and service within the first year of installation, in accordance with the terms of the warranty.

For complete details of the Limited Warranty, including applicable terms and conditions, see your local installer or contact the NORDYNE warranty department for a copy.



8000 Phoenix Parkway | O'Fallon, MO 63368-3827

Specifications and illustrations subject to change without notice and without incurring obligations. Printed in U.S.A (0510)

713A-0510 (Replaces 713A-1109)